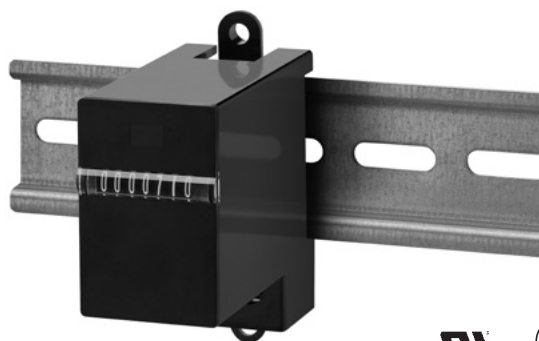


Pulse counters, electromechanical

Micro counters

High shock resistance, for DIN-rail (AC+DC)

SK 07



The micro-totalizers SK 07 boast a very high level of shock resistance.

Their DIN-rail mounting allows them to be installed quickly and easily in a wide range of application areas.

Characteristics

- 7-digit micro-totalizers.
- Rail mounting to EN 50022.
- Base mount counters.
- Large optical figures.
- Low power consumption.
- Small dimensions.

Benefits

- High shock resistance.
- Stores values if power fails.
- Long service life.

Applications

General quantity counting, installation in control cabinets and distribution boxes.

Type series

Description

Base mounting and rail mounting

Type

SK 07.1

Order information

- Art. no.
- For options please give exact counter type, voltage and options e.g.: SK 07.1 – 9 V DC/0 – temperature range -20°C ... +70°C [-4°F ... +158°F]

Technical data

Electrical connection	clamp terminal for cable diameter up to 2.5 mm ² , tightening torque max. 0.8 Nm
Power consumption – at 20°C [68°F]	
at 10 Hz (type 0)	approx. 50 mW
at 25 Hz (type 1)	approx. 250 mW
at 10 Hz (type a0)	approx. 800 mVA
Rated voltage	
type 0	1.5/3/4.5/5/6/12 V DC, -10 %, +20 %
type 1	3/4.5/5/6/12/24 V DC, ±10 %
type a0	12/24/115/230 V AC, ±10 %
Counting frequency	max. 10 and 25 Hz
Pulse duration	
bei 10 Hz	min. 50 ms (type 0 and a0)
bei 25 Hz	min. 20 ms (type 1)
Cycle duration factor	100 %
Number of digits	7
Counting system	adding
Height of figures (optical)	4 x 1.2 mm [0.16 x 0.047"]
Color of figures	white on black
Reset	no reset
Operating temperature	-10°C ... +60°C [+14°F ... +140°F] (non-condensing)

Mounting position	horizontal, other on request
Operating life	> 50 x 10 ⁶ pulses
Protection	IP50 (front side)
Housing	plastic black PC (Polycarbonate)
Weight	55 g [1.94 oz]
EMC standards	EN 55011 class B EN 61000-6-2, EN 61000-6-3
Device safety	designed to EN 61010 part 1 protection class 2 application area pollution level 2
UL approval	file E128604

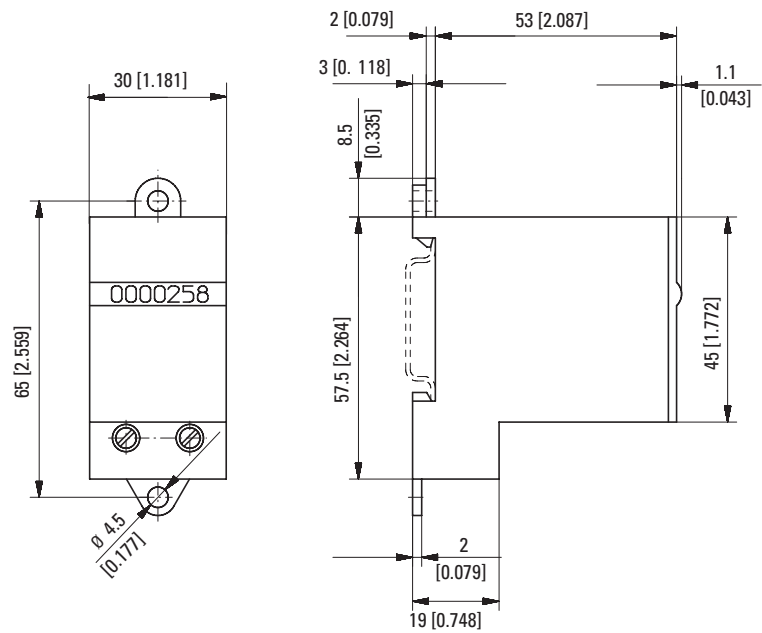
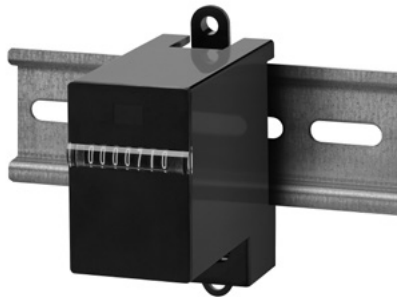
Options

- electrical connection: flat pin 0.8 x 6.3 mm [0.032 x 0.25"], Art. no.: 1.1X2.X01.XXX.011
- different voltages
- different digit colors
- different temperature range depends on type
-30°C ... +85°C [-22°F ... +185°F] or
-20°C ... +70°C [-4°F ... +158°F]

Pulse counters, electromechanical

Micro counters **High shock resistance, for DIN-rail (AC+DC)** **SK 07**

Base- and rail mounting
Type SK 07.1



Type	Voltage	Display	Art. no.			
			12 V	24 V	115 V	230 V
SK 07.1	DC (10 Hz) / 0	7 digits	1.132.101.012	1.132.101.013 ¹⁾		
	DC (25 Hz) / 1		1.132.101.032	1.132.101.033 ¹⁾		
	AC (10 Hz) / a0		1.132.101.051 ¹⁾	1.132.101.054 ¹⁾	1.132.101.056 ¹⁾	