

# Hour meters / timers, electromechanical

Timers with DIN dimensions

DIN counters for panel mount, 48 x 24 mm (AC+DC)

H 37



The hour meters H 37 feature a very high shock resistance.

These panel mount counters with standard DIN dimensions can be used in many different fields of application.

These non-resettable counters are extremely tamper-proof.



## Characteristics

- 7- or 8-digit hour meter.
- Without reset, high shock resistance.
- Small dimensions, magnified large figures.
- Protection IP65 on the front side.
- Panel mount counter with integrated spring clip (H 37.4).
- UL-approved.

## Benefits

- 5 years guarantee. <sup>1)</sup>
- High reliability: for a better sale of your final product.
- Data retention in case of power failure.
- Long service life.

## Applications

General time measurement, maintenance intervals for measuring instruments (respiration units, oxygen, dialysis), small appliances, UV lamps, display panels in vehicles.

## Type series

Description	Mounting	Panel cut-out	Type
Standard DIN counter for panel mount	mounting clip, on rear	45 x 22 [1.77 x 0.91"]	<b>H 37</b>
Standard DIN counter for panel mount	2 mounting holes	50 x 25 [1.97 x 0.98"]	<b>H 37.1</b>
Standard DIN counter for panel mount	mounting clip, on rear	50 x 25 [1.97 x 0.98"]	<b>H 37.2</b>
Standard DIN counter for panel mount	mounting clip, on rear	45 x 22 [1.77 x 0.91"]	<b>H 37.5</b>

Dual function timer  
48 x 48 mm [1.89 x 1.89"] on request



1) When used as specified in the technical data

## Hour meters / timers, electromechanical

Timers with DIN dimensions	DIN counters for panel mount, 48 x 24 mm (AC+DC)	H 37
Accessories	Dimensions in mm [inch]	Order no.
<b>Adapter front bezel, 72 x 36 [2.83 x 1.42]</b>	for cut-out 68 x 33 [2.68 x 1.30] to cut-out 45 x 22.2 [1.77 x 0.87], for counters 48 x 24 [1.89 x 0.94], as set	black and silver anodised <b>162704 Set</b>
<b>Adapter front bezel, 48 x 48 [1.89 x 1.89]</b>	for cut-out 45 x 45 [1.77 x 1.77] to cut-out 45 x 22.2 [1.77 x 0.87], with clip mounting for counters 48 x 24 [1.89 x 0.94]	black <b>T008883</b>
<b>Adapter front bezel, 60 x 50 [2.36 x 1.97]</b>	for cut-out 54 x 29 [2.13 x 1.14] to cut-out 45 x 22.2 [1.77 x 0.87], with screw mounting and gasket for counters 48 x 24 [1.89 x 0.94]	black <b>N003001</b>
<b>Adapter front bezel, 56 x 40 [2.20 x 1.57]</b>	for cut-out 50 x 25 [1.97 x 0.98] to cut-out 45 x 22.2 [1.77 x 0.87], with screw mounting for counters 48 x 24 [1.89 x 0.94]	black <b>T008161</b>
<b>Adapter front bezel, 53 x 28 [2.09 x 1.10]</b>	for cut-out 54 x 29 [2.13 x 1.14] to cut-out 45 x 22.2 [1.77 x 0.87], with clip mounting for counters 48 x 24 [1.89 x 0.94]	grey black <b>T008164</b> <b>T008165</b>
<b>Transparent cover, lockable, IP65</b>	for cut-out 54 x 29 [2.13 x 1.14], for screw mounting to front bezel F1B or adapter front bezel N003001, for counters with cut-out 50 x 25 [1.97 x 0.98] or 45 x 22.2 [1.77 x 0.87]	<b>N003002</b>
<b>Sealing cover type K1, IP65</b>	suitable for front bezel 60 x 50 [2.36 x 1.97], for screw mounting of electromech. counters and via adapter front bezel N003001 for counters 48 x 24 [1.89 x 0.94]	<b>G008301</b>
<b>Mounting frame</b> with cut-out 50 x 25 [1.97 x 1.97] via separate adapter also for 45 x 22.2 [1.77 x 0.87]	for snap-on mounting on 35 [1.38] top-hat DIN rail, for counters 53 x 28 [2.09 x 1.10] and via separate adapter (T008180) for counters 48 x 24 [1.89 x 0.94]	chromated <b>G300004</b>
<b>Gasket 53 x 28 [2.09 x 1.10]</b>	for cut-out 50 x 25 [1.97 x 0.98], suitable for H 37.2 and H 37.4	black <b>N511015</b>
<b>Gasket 48 x 24 [1.89 x 0.94]</b>	for cut-out 45 x 22.2 [1.77 x 0.87], suitable for H 37 and H 37.5	black <b>N511029</b>
<b>Terminal cover type KA 37</b>	for H 37 counters (2 pcs. per counter required)	transparent <b>T051687</b>

Suitable gaskets, other accessories and installation examples for optional accessories can be found in chapter accessories or in the accessories section under: [www.kuebler.com/accessories](http://www.kuebler.com/accessories).

Technical data	
<b>Electrical connection</b>	screw terminals (tightening torque max. 0.8 Nm)
<b>Power consumption</b>	10 ... 30 V DC approx. 500 mW 36 ... 80 V DC approx. 900 mW 100 ... 130 V DC approx. 750 mW 20 ... 30 V AC, 50 Hz approx. 0.3 VA 42 ... 48 V AC, 50 Hz approx. 0.25 VA 100 ... 130 V AC, 50 Hz approx. 0.6 VA 187 ... 264 V AC, 50 Hz approx. 1.2 VA
<b>Rated voltages</b>	AC (50 or 60 Hz) 20 ... 30 V, 42 ... 48 V, 100 ... 130 V, 187 ... 264 V DC 10 ... 30 V, 36 ... 80 V, 100 ... 130 V
<b>On time</b>	100 %
<b>Number of digits</b>	AC 7 – 99999.99 h DC 8 – 999999.99 h
<b>Resolution</b>	0.01 h equals 36 s
<b>Height of figures</b>	4 mm [0.16"]
<b>Color of figures</b>	white and red on black
<b>Reset</b>	no reset
<b>Operating temperature</b>	-15°C ... +50°C [+5°F ... +122°F] (non-condensing)
<b>Storage temperature</b>	-40°C ... +85°C [-40°F ... +185°F]
<b>Relativ humidity</b>	< 95 % (non-condensing)
<b>Mounting position</b>	any

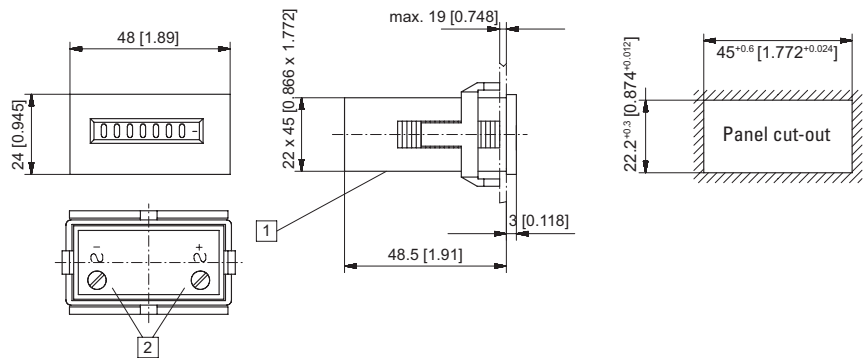
<b>Protection</b>	IP65 (front side) built in with gasket, (order gasket separately)
<b>EMC standards</b>	EN 55011 class B EN 61000-6-2, EN 61000-6-3
<b>Device safety</b>	designed to protection class 2 application area pollution level 2
<b>UL approval</b>	file E128604
<b>Housing</b>	plastic PC (Polycarbonate) types with IP65 protection are sealed (potted)
<b>Accuracy</b>	AC supply frequency + 30 ms DC < 0.003 % (at 24 h)
<b>Weight</b>	H 37 approx. 50 g [1.76 oz] slip on bezel 37.1 6 g [0.21 oz] slip on bezel 37.2 2 g [0.07 oz]

Options	
<b>Color of housing</b>	grey Art. no. 3.130.X50.XXX
<b>Electrical connection</b>	flat pin 0.8 x 6.3 mm [0.031 x 0.25"] Art.-No.: 3.24X.20X.XXX.011 screw terminal with terminal cover Art.-No.: 3.24X.20X.XXX.456 spring-type terminal on request
<b>360 - 440 V AC</b>	on request

# Hour meters / timers, electromechanical

## Timers with DIN dimensions    DIN counters for panel mount, 48 x 24 mm (AC+DC)    H 37

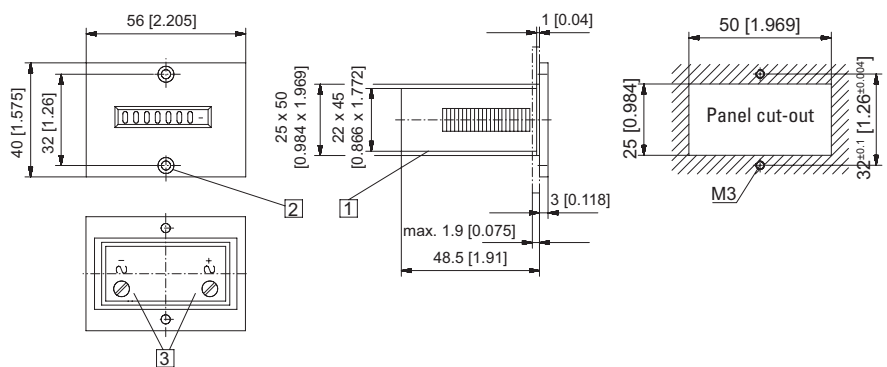
Mounting clip, on rear,  
panel mount dimensions 45 x 22 [1.77 x 0.91]  
Type H 37



1) Wire entry    2) Screw terminal with flat pin 0.8 x 6.3 [0.031 x 0.25]

Type	Display	Voltage	Art. no.					
			10 ... 30 V	20 ... 30 V	36 ... 80 V	42 ... 48 V	100 ... 130 V	187 ... 264 V
H 37	7 digits	AC (50 Hz)		3.240.201.071		3.240.201.072	3.240.201.074 <sup>1)</sup>	3.240.201.075 <sup>1)</sup>
	7 digits	AC (60 Hz)		3.240.201.081		3.240.201.082	3.240.201.084	3.240.201.085
	8 digits	DC	3.240.201.351 <sup>1)</sup>		3.240.201.353		3.240.201.381	

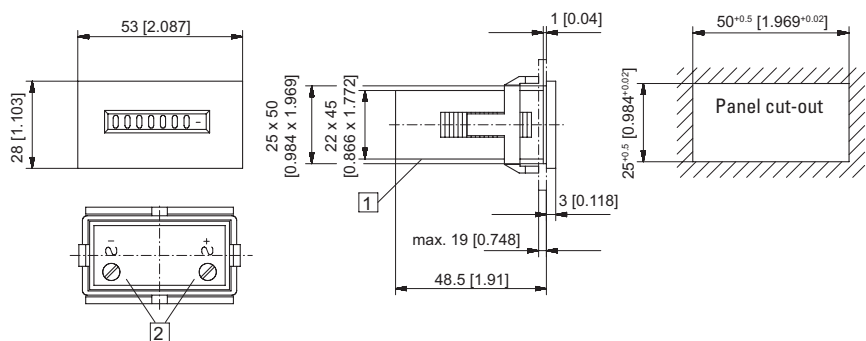
2 mounting holes,  
panel mount dimensions 50 x 25 [1.97 x 0.98"]  
Type H 37.1



1) Wire entry    2) Countersinking Af3, DIN 74    3) Screw terminal with flat pin 0.8 x 6.3 [0.031 x 0.25]

Type	Display	Voltage	Art. no.					
			10 ... 30 V	20 ... 30 V	36 ... 80 V	42 ... 48 V	100 ... 130 V	187 ... 264 V
H 37.1	7 digits	AC (50 Hz)		3.241.201.071		3.241.201.072	3.241.201.074	3.241.201.075
	7 digits	AC (60 Hz)		3.241.201.081		3.241.201.082	3.241.201.084	3.241.201.085
	8 digits	DC	3.241.201.351 <sup>1)</sup>		3.241.201.353		3.241.201.381	

Mounting clip, on rear,  
panel mount dimensions 50 x 25 [1.97 x 0.98"]  
Type H 37.2



1) Wire entry    2) Screw terminal with flat pin 0.8 x 6.3 [0.031 x 0.25]

Type	Display	Voltage	Art. no.					
			10 ... 30 V	20 ... 30 V	36 ... 80 V	42 ... 48 V	100 ... 130 V	187 ... 264 V
H 37.2	7 digits	AC (50 Hz)		3.242.201.071		3.242.201.072	3.242.201.074	3.242.201.075 <sup>1)</sup>
	7 digits	AC (60 Hz)		3.242.201.081		3.242.201.082	3.242.201.084	3.242.201.085
	8 digits	DC	3.242.201.351 <sup>1)</sup>		3.242.201.353		3.242.201.381	

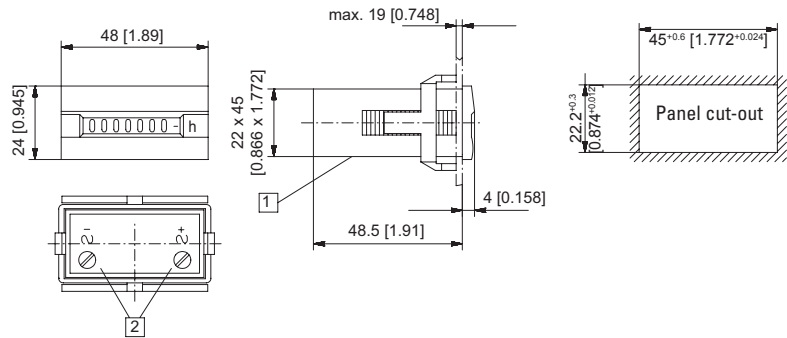
Dimensions in mm [inch]

1) Stock types

# Hour meters / timers, electromechanical

**Timers with DIN dimensions**    **DIN counters for panel mount, 48 x 24 mm (AC+DC)**    **H 37**

**DIN counter for panel mount**  
**mounting clip, on rear,**  
**panel mount dimensions 45 x 22 [1.77 x 0.91]**  
**Type H 37.5**



1 Wire entry    2 Screw terminal with flat pin 0.8 x 6.3 [0.031 x 0.25]

Type	Display	Voltage	Art. no.					
			10 ... 30 V	20 ... 30 V	36 ... 80 V	42 ... 48 V	100 ... 130 V	187 ... 264 V
<b>H 37.5</b>	7 digits	AC (50 Hz)		<b>3.245.201.071</b>		<b>3.245.201.072</b>	<b>3.245.201.074</b>	<b>3.245.201.075</b> <sup>1)</sup>
	7 digits	AC (60 Hz)		<b>3.245.201.081</b>		<b>3.245.201.082</b>	<b>3.245.201.084</b>	<b>3.245.201.085</b>
	8 digits	DC	<b>3.245.201.351</b> <sup>1)</sup>		<b>3.245.201.353</b>		<b>3.245.201.381</b>	