

DQ2722M is 2-phase stepping motor driver based on advanced DSP control algorithm. It is fully digital stepping motor driver of new generation. The driving voltage range is AC110V-220V, adapting to all models of 2-phase hybrid stepping motor whose current is below 7.0A and with 86-130mm outer diameter. The internal driver circuit is similar to that of servo control theory, which makes the motor run smoothly, almost no vibration and noise. The max positioning accuracy can be up to 40,000 steps per revolution. DQ2722M is widely used in large/medium NC equipment with high resolution like engraving machines, medium CNC machine, computer embroidery machine, packaging machinery and etc.

## Features

- High performance and competitive price
- 16-channel selectable resolution, max resolution 40,000 steps/R
- Max response frequency up to 200Kpps
- Coil current will be automatically reduced to 1/2 of pre-set current when stepping pulse stops over 100ms.
- Optical isolating signals I/O
- Driving current can be adjusted from 1.2A/phase to 7.0A/phase through the 16 channels.
- Single power supply (Voltage range: AC110V-220V)
- **Phase memory function (Note: The driver can memorize the motor phase automatically when the input stops over 3 seconds. And it also can recover the phase automatically when it is re-powered or MF signals changes from low level to high level. )**

## Current Setting

The working current of the driver is set by DIP-1 terminal. For more details, please refer to the following diagram.

Running Current (A)	1.2	1.5	2.0	2.3	2.5	3.0	3.2	3.6	4.0	4.5	5.0	5.3	5.8	6.2	6.5	7.0
D1	OFF	OFF	OFF	OFF	OFF	OFF	OFF	OFF	ON	ON	ON	ON	ON	ON	ON	ON
D2	OFF	OFF	OFF	OFF	ON	ON	ON	ON	OFF	OFF	OFF	OFF	ON	ON	ON	ON
D3	OFF	OFF	ON	ON	OFF	OFF	ON	ON	OFF	OFF	ON	ON	OFF	OFF	ON	ON
D4	OFF	ON	OFF	ON	OFF	ON	OFF	ON	OFF	ON	OFF	ON	OFF	ON	OFF	ON

## Micro Steps Setting

The micro steps of the driver are set by DIP-2 terminal. The total 16 channels are separately set by the first 4 of the 6 DIP-switch. (The other 2 are for function setting).

Details are as below. Micro steps (pulse/R)

	400	500	600	800	1000	1200	2000	3000	4000	5000	6000	10000	12000	20000	30000	60000
D1	ON	ON	ON	ON	ON	ON	ON	ON	OFF	OFF	OFF	OFF	OFF	OFF	OFF	OFF
D2	ON	ON	ON	ON	OFF	OFF	OFF	OFF	ON	ON	ON	ON	OFF	OFF	OFF	OFF
D3	ON	ON	OFF	OFF	ON	ON	OFF	OFF	ON	ON	OFF	OFF	ON	ON	OFF	OFF
D4	ON	OFF	ON	OFF	ON	OFF	ON	OFF	ON	OFF	ON	OFF	ON	OFF	ON	OFF
D5	ON, double pulses, PU: CW stepping pulse signal, DR: CCW stepping pulse signal.															
	OFF, single pulse, PU: stepping pulse signal, DR: direction control signal.															
D6	Self-detect switch (OFF: to receive outer pulse ON: the driver is running at 30 R/M internal)															

### I/O Signal

All input signals are optically isolated to guarantee the reliable running of the built-in high-speed optocoupler. The driving current to control the signal is required to be 15mA at least. And the driver has been set in the optocoupler current limit resistor. When the input voltage is beyond 5V, please limit the current by connecting resistance R if necessary.

Resistance R value option:

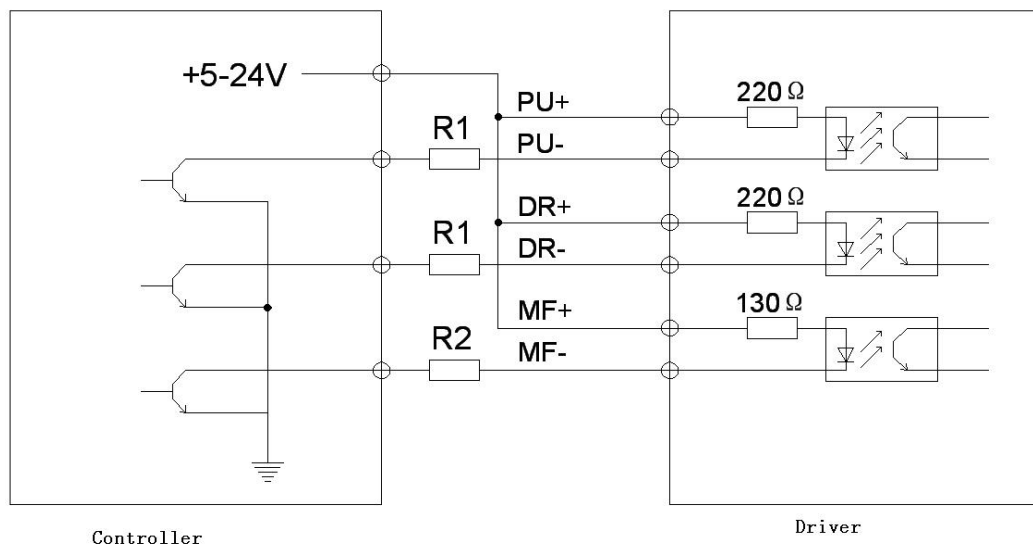
The output voltage of the controller/actuator is

+5V: R1=0, R2=0

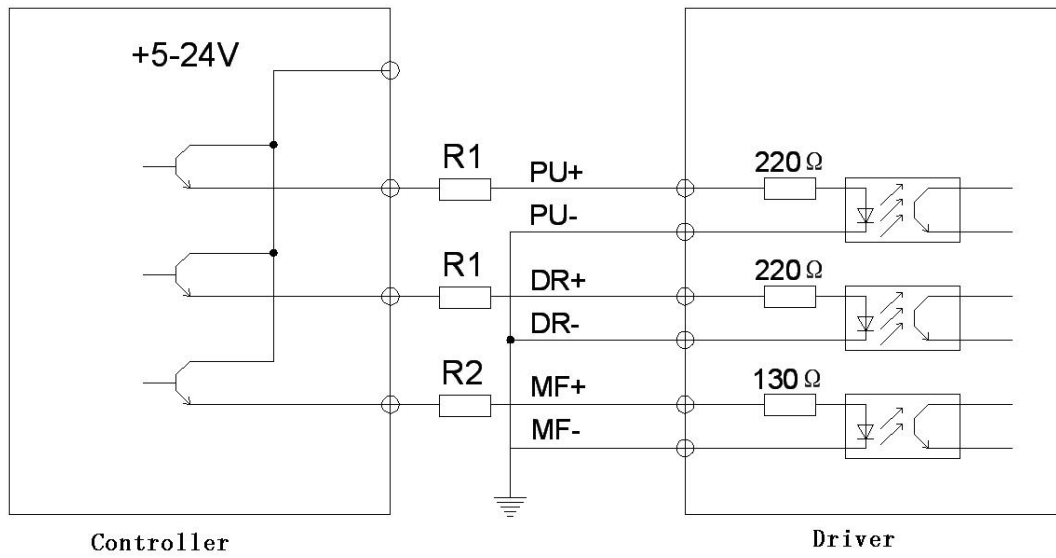
+12V: R1=510Ω, R2=820Ω;

+24V: R1=1.2KΩ, R2=1.8KΩ。

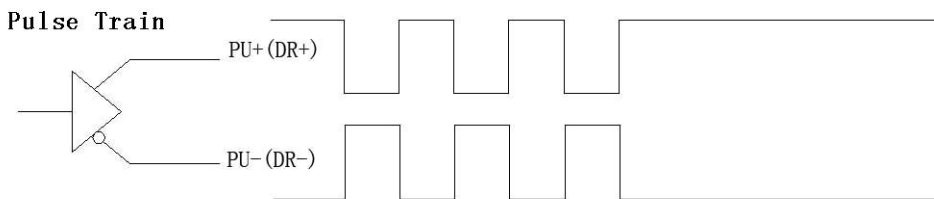
### Common Anode Connection for Signal Input



### Common Cathode Connection for Signal Input

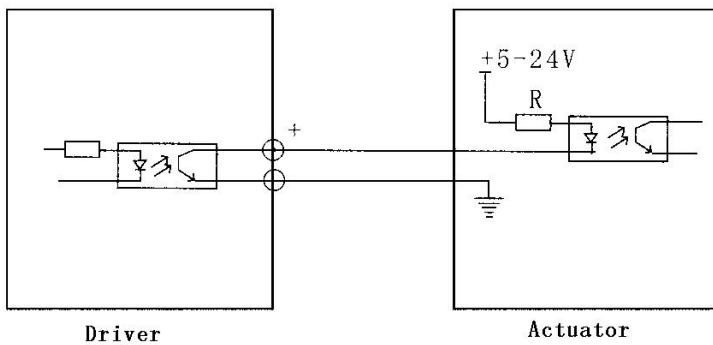


### Connection for Differential Signal Input

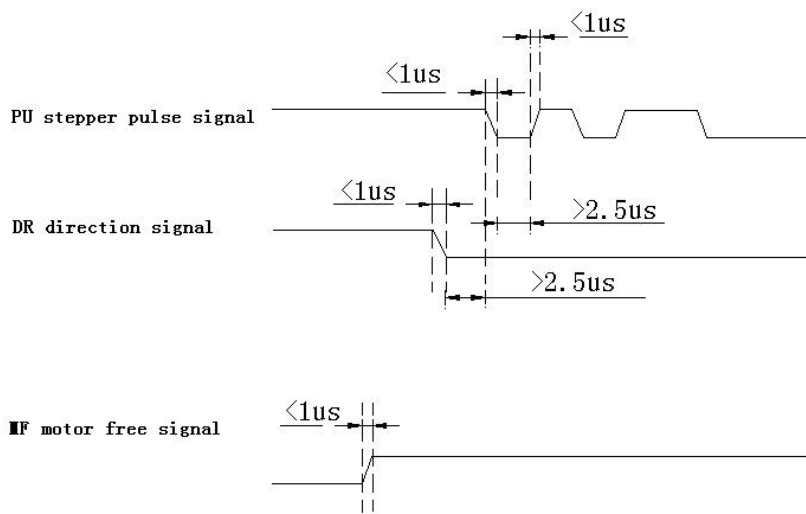


### Signal Output

The driver outputs the signals through optocoupler. The max driving current can be 50mA.  
RDY/ALM Signals Output



## Waveform Diagram of Signal Input

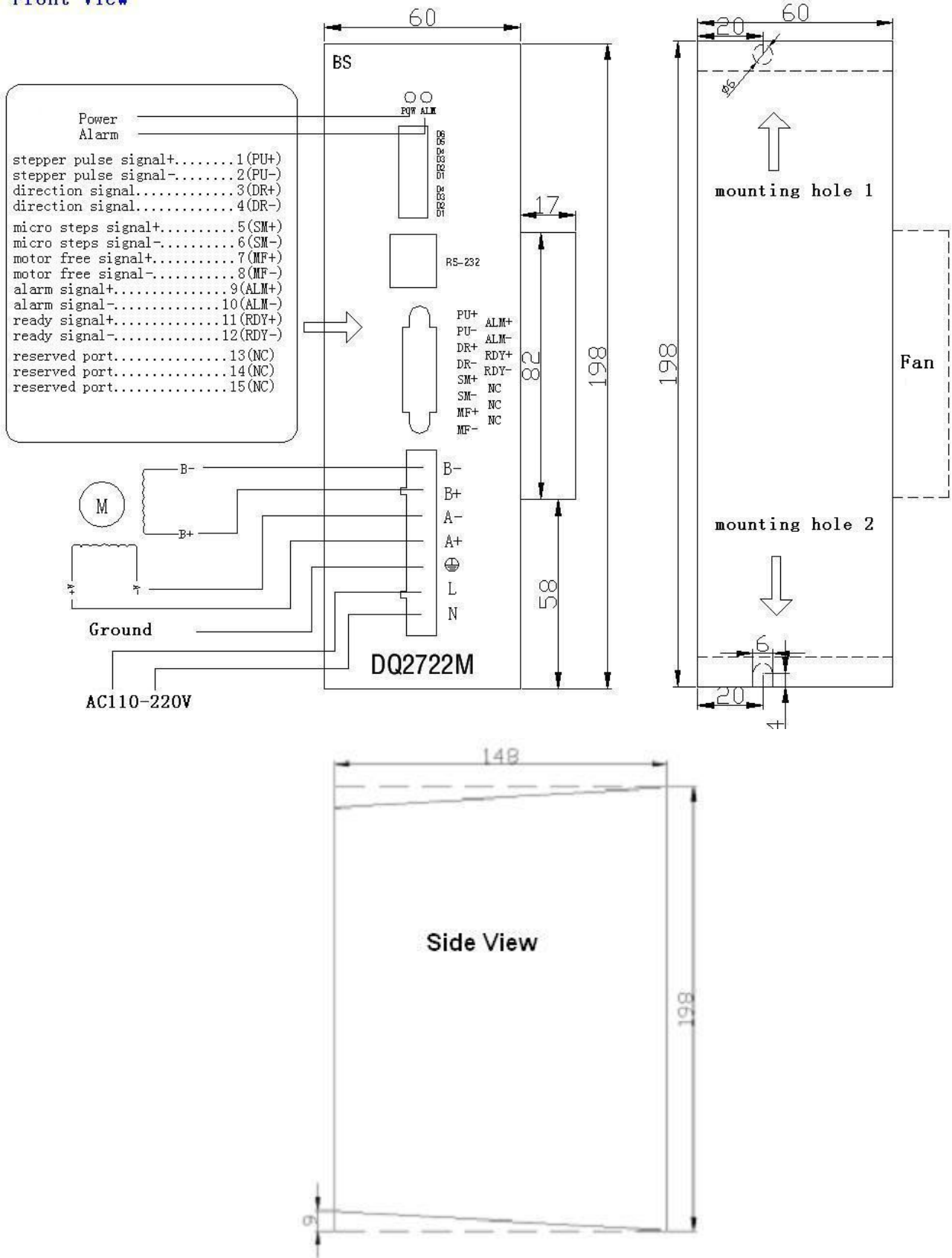


## Caution!

- The input voltage can not exceed AC220V.
- The input control signal level is 5V. Once it is over 5V, please connect current limit resistance.
- The input of pulse trailing edge is valid.
- The driver will stop working once the temperature exceeds 75 degrees. And the ALM will light. Until the temperature drops to 50 degrees, the driver will restart to work after powered-up. Please install the radiator for over-heat protection.
- If short circuit ALM lights, please check motor leads and eliminate other short faults. And then repower up to recover.
- If no motor ALM lights, please check motor leads and repower up to recover.

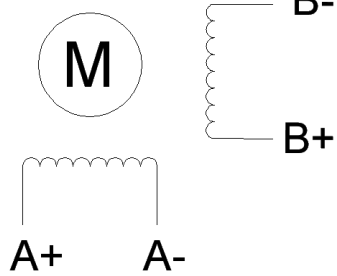
**Diagram for Driver Wiring & Dimension (Unit: mm)**

**Front View**



**Lead Pin Function Table**

Terminal	Pin	Symbol	Function	Note
RS-232	1	RX	To receive data	RX (NC)
	2	TX	To send data	TX (NC)
	8	GND	Ground	GND (NC)
DB15	1	PU+	To input anode of optical isolation	Driving voltage+5V--+24V, but if above +5V, current limit resistance is needed.
	2	PU-	DP5=OFF, PU: stepping pulse signal	Trailing edge is valid. When the pulse changes from high level to low level, The motor moves one step. And the Input resistance is 220Ω. Request: Low level 0-0.5V, high level 4-5V. Pulse width>2.5μS
			DP5=ON, PU: CW stepping pulse signal	
	3	DR+	To input anode of optical isolation	Driving voltage+5V--+24V, but if above +5V, current limit resistance is needed.
	4	DR-	DP5= OFF, DR: Direction control signal.	Applied to change motor rotating direction. Input resistance is 220Ω. Low level 0-0.5V, high level 4-5V. Pulse width>2.5μS
			DP5=ON, DR: CCW stepping pulse signal	
	5	SM+	To input anode of optical isolation	NC
	6	SM-	Micro steps to choose signal	NC
	7	MF+	To input anode of optical isolation	Driving voltage+5V--+24V, but if above +5V, current limit resistance is needed.
	8	MF-	The signal of motor released.	Low level is valid, the current will be cut off and the driver stops working and in free state.
	9	ALM+	Anode of optical isolation outputs driver fault signal.	The driver outputs fault signal if over-current or over-heat. The signal is valid. (low level)
	10	ALM-	Cathode of optical isolation outputs driver fault signal.	
	11	RDY+	Anode of optical isolation gets ready to output signal.	The driver works normally and is ready to receive control signal. The signal is valid. (low level)
12	RDY-	Cathode of optical isolation gets ready to output signal.		
13、14、	NC	NC	NC	

	15			
Motor, Power Terminal	1,2	L、N	Power supply	Voltage range: AC110~220V
	3	PE	Ground	Ground (connect driver metal enclosure)
	4	A+	Motor connection	
	5	A-		
	6	B+		
	7	B-		

### Possible Problems & Solutions Table

Problems	Possible Cause	Solutions
Motor Stopped	Power indicator does not light.	Check power supply
	Alarm indicator lights.	Check if the driver over-current/over-heat/lack of motor.
	Motor spindle is locked.	Check external control signal.
	The indicator works normally, the spindle does not lock the motor.	Check if MF signal is valid.
Motor Stalled	The max speed is over-set.	Reduce the speed.
	Accelerating time is too short.	Lengthen the accelerating time or increase the constant value of pulse wave filtering.
Inaccurate Position	The Micro steps set incorrectly.	Choose correct micro steps.
	The motor load is too heavy.	Change the motor or appropriately increase driver running current.
Electric Leakage	Not reliably grounded.	Make the driver/motor reliably grounded.
Driver/Motor Over-heat	Heavy running current or terrible external heat sinking condition	Appropriately reduce running current or improve the ventilation and heat dissipation.